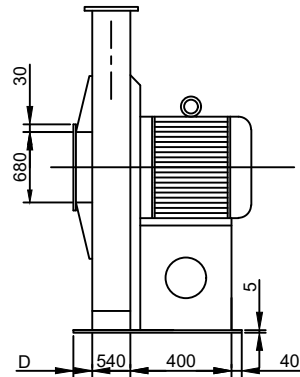
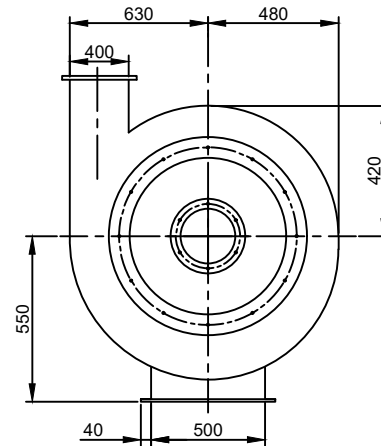


CENTRIFUGAL BLOWER

MODEL NO. CB-96-500-82.6-200

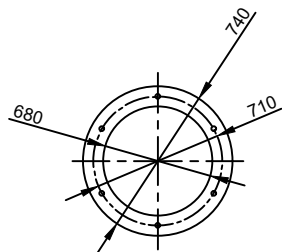


SIDE VIEW

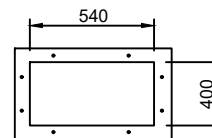


FRONT VIEW

ROTATION: CLOCKWISE
(VIEW FROM SUCTION END)



INLET FLANGE
(SUCTION)



OUTLET FLANGE
(DISCHARGE)

CAPACITY : 10,000 CFM
PRESSURE : 50 mm W.G of Manometer
MOTOR : 5.0 HP/960 RPM, IE-2, 3 Phase, 50 Hz. 415 V

VAYUVENTS PVT. LTD.